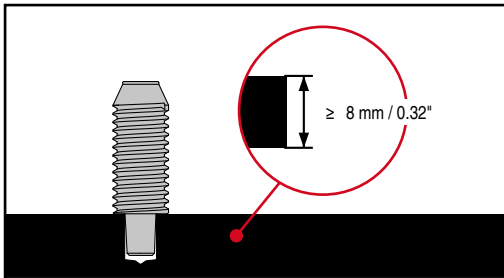
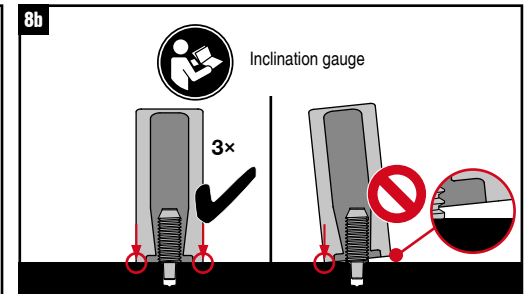
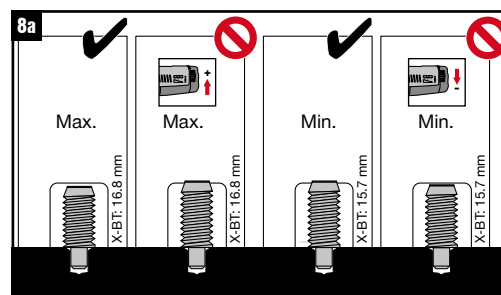
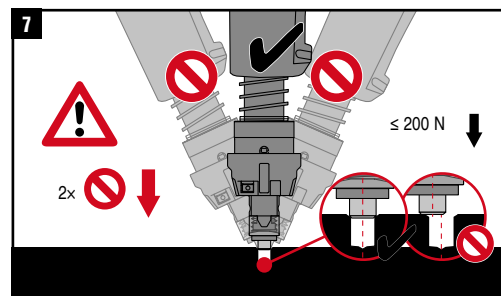
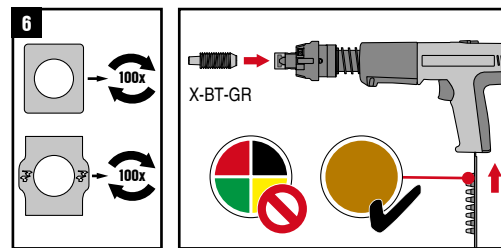
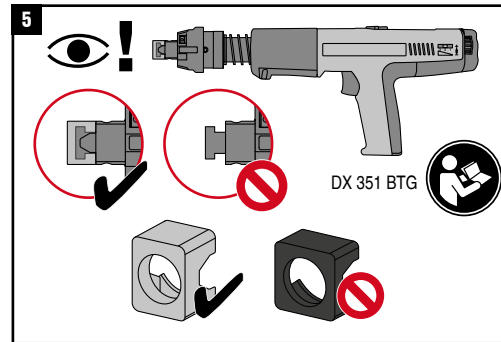
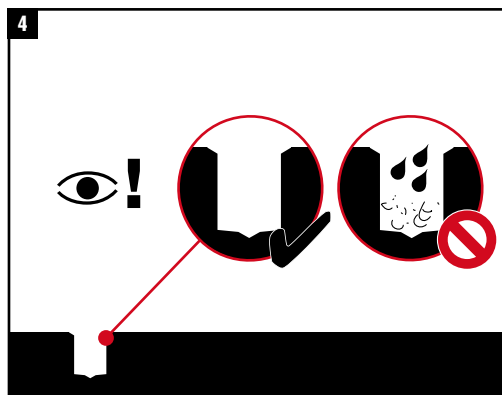
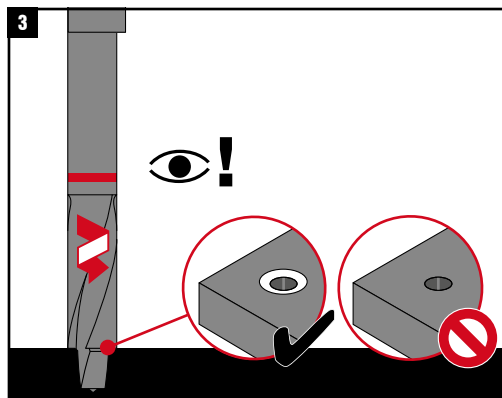
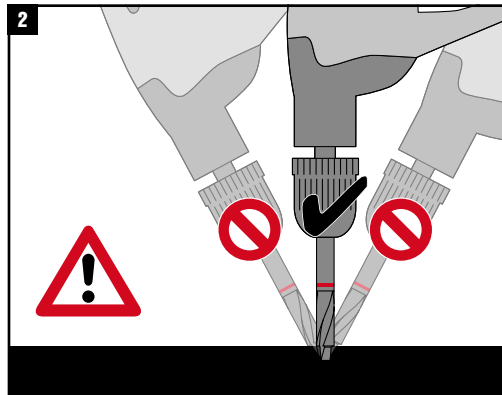
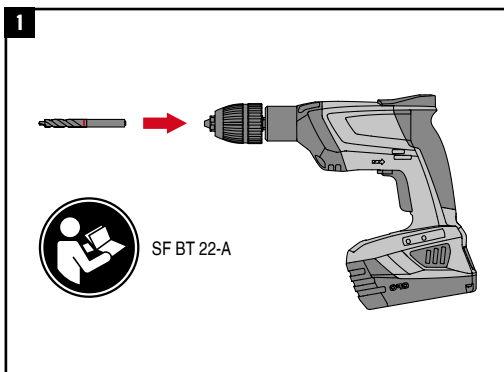


Hilti
Corrosion
handbook / DFTM

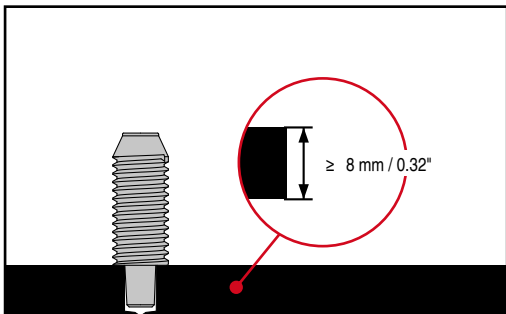


		Use with					
X-BT M8 Special	✓	SF BT 22-A	DX 351 BTG	X-BT 1/4" - 20Nm/ 14.8 ft lb	Flange Nut M8	S-NS 13 C 95/3 3/4"	X-IG BT M8





Hilti
Corrosion
handbook / DFTM



Use with						
X-BT M8 Special	✓	SF BT 22-A	BX 3-BT (G)	X-BT 1/4\"/>20 Nm / 14,8 ft lb	Flange Nut M8	S-NS 13 C 95/3 1/4 M8

