

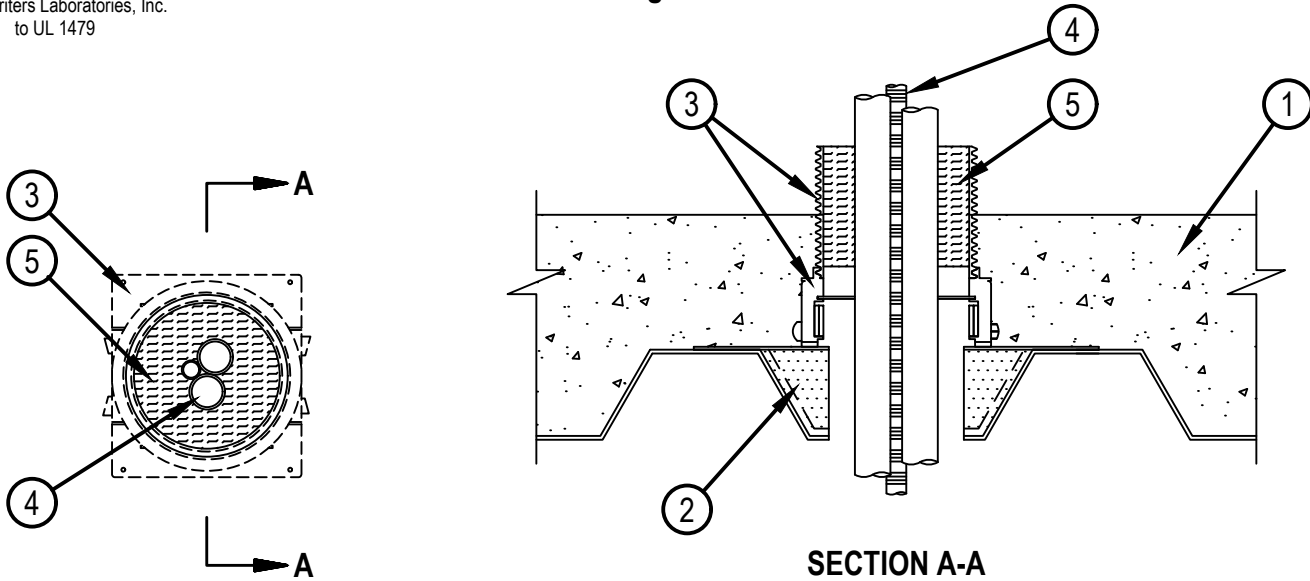


Classified by  
Underwriters Laboratories, Inc.  
to UL 1479

## System No. F-A-2315

F Rating — 2 Hr  
T Ratings — 0 Hr

FA 2315



**SECTION A-A**

1. Floor Assembly — The fire rated unprotected concrete and steel floor assembly shall be constructed of the materials and in the manner specified in the individual D900 Series designs in the UL Fire Resistance Directory and as summarized below:
  - A. Concrete — Min 4-1/2 in. (114 mm) thick reinforced lightweight or normal weight (100-150 pcf or 1600-2400 kg/m<sup>3</sup>) concrete.
  - B. Steel Floor and Form Units\* — Max 3 in. (76 mm) deep galv steel fluted units as specified in the individual Floor-Ceiling Design.
2. Firestop Device\* — Cast in place firestop device platform installed prior to concrete placement in floor assembly. The CFS-CID MD PLT firestop device platform is screwed to the fluted deck with one fastener at each corner in accordance with manufacturer installation instructions. The firestop device platform is sized for nominal 2 and 3 in. (51 and 76 mm) deep fluted decks.  
HILTI CONSTRUCTION CHEMICALS, DIV OF HILTI INC — CFS-CID MD PLT W2" and W3"
3. Firestop Device\* — Cast in place firestop device installed over firestop device platform (Item 2) prior to concrete placement in floor assembly. The CFS-CID MD Firestop Device is set onto and screwed to the device platform in accordance with manufacturer installation instructions. The firestop device is sized for the diameter of the through penetrant and for the height of the concrete topping over the fluted deck. The device shall be used with Hilti provided extension to accommodate the installation. The firestop device may extend a max of 2 in. (51 mm) above the top surface of the concrete.  
HILTI CONSTRUCTION CHEMICALS, DIV OF HILTI INC — CFS-CID MD P 2"/2.5", 3"/2.5" and 4"/2.5"; CFS-CID MD P 2"/4", 3"/4" and 4"/4", CFS-CID MD PX 2"/2.5", 3"/2.5" and 4"/2.5" and CFS-CID MD PX 2"/4", 3"/4" and 4"/4"
4. Through Penetrants — Nonmetallic pipe or conduit bundle consisting of max three nonmetallic pipes or conduit installed concentrically within the firestop system. Pipe or conduit to be rigidly supported on both sides of floor-ceiling assembly. The following types and sizes of nonmetallic pipes or conduits may be used:
  - A. Polyvinyl Chloride (PVC) Pipe — Nom 2 in. (51 mm) diam (or smaller) Schedule 40 solid or cellular core PVC pipe for use in closed (process or supply) or vented (drain, waste or vent) piping systems.
  - B. Chlorinated Polyvinyl Chloride (CPVC) Pipe — Nom 2 in. (51 mm) diam (or smaller) SDR13.5 CPVC pipe for use in closed (process or supply) piping systems.
  - C. Electrical Nonmetallic Tubing (ENT)+ — Nom 1 in. (25 mm) diam (or smaller) ENT formed from PVC. ENT to be installed in accordance with National Electrical Code (NFPA No. 70).  
See Electrical Nonmetallic Tubing (FKHU) category in the Electrical Construction Materials Directory for names of manufacturers.
5. Packing Material — Min 4 in. (102 mm) thickness of min 4 pcf (64 kg/m<sup>3</sup>) mineral wool batt insulation tightly packed into the device above the smoke seal gasket flush with the top surface of the device.

+Bearing the UL Listing Marking

\* Indicates such products shall bear the UL or cUL Certification Mark for jurisdictions employing the UL or cUL Certification (such as Canada), respectively.



**Hilti Firestop Systems**

Reproduced by HILTI, Inc. Courtesy of  
Underwriters Laboratories, Inc.  
November 20, 2019