



Classified by  
Underwriters Laboratories, Inc.  
to UL 1479

## System No. F-A-2312

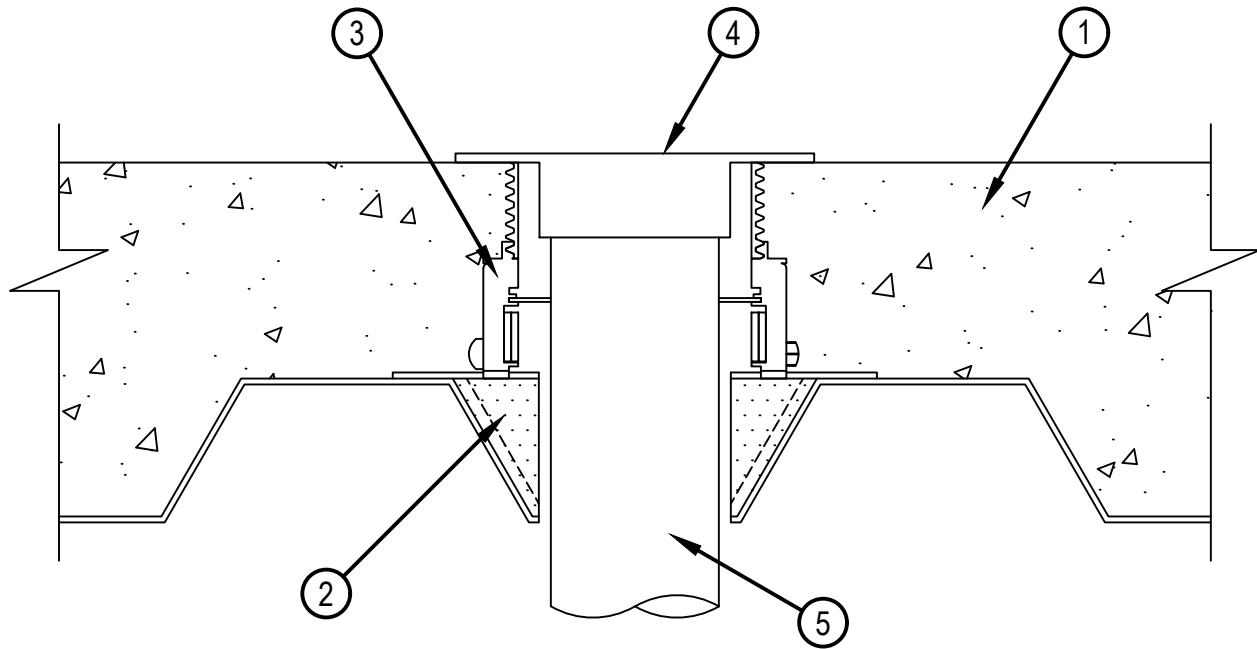
F Rating - 3 Hr

T Rating - 0 Hr

L Rating At Ambient — Less Than 1 CFM/ft<sup>2</sup>

L Rating At 400 F — Less Than 1 CFM/ft<sup>2</sup>

FA2312



1. Floor Assembly — - The fire rated unprotected concrete and steel floor assembly shall be constructed of the materials and in the manner specified in the individual D900 Series designs in the UL Fire Resistance Directory and as summarized below:

A. Concrete — Min 4-1/2 in. (114 mm) thick reinforced lightweight or normal weight (100-150 pcf or 1600-2400 kg/m<sup>3</sup>) concrete.

B. Steel Floor and Form Units\* — Max 3 in. (76 mm) deep galv steel fluted units as specified in the individual Floor-Ceiling Design.

2. Firestop Device\* — Cast in place firestop device platform installed prior to concrete placement in floor assembly. The CFS-CID MD PLT firestop device platform is screwed to the fluted deck with one fastener at each corner in accordance with manufacturer installation instructions. The firestop device platform is sized for nominal 2 and 3 in. (51 and 76 mm) deep fluted decks.

HILTI CONSTRUCTION CHEMICALS, DIV OF HILTI INC — CFS-CID MD PLT W2" and W3"

3. Firestop Device\* — Cast in place firestop device installed over firestop device platform prior to concrete placement in floor assembly. The CFS-CID MD Firestop Device is set onto and screwed to the firestop device platform (Item 2) in accordance with manufacturer installation instructions. The firestop device to be sized for the diameter of the drain piping (Item 5). The 2.5" height devices are intended for a 2.5 in. (64 mm) concrete topping over the fluted deck and shall be used with the Hilti provided extension. The 4" height devices are intended for concrete toppings greater than 2.5 in. (64 mm) thick. Device to be cut flush with the top surface of the concrete.

HILTI CONSTRUCTION CHEMICALS, DIV OF HILTI INC — CFS-CID MD P 3"/2.5" and 4"/2.5"; CFS-CID MD P 3"/4" and 4"/4", CFS-CID MD PX 3"/2.5" and 4"/2.5" and CFS-CID MD PX 3"/4" and 4"/4"

4. Closet Flange — Polyvinyl chloride (PVC) or acrylonitrile butadiene styrene (ABS) closet stub sized to accommodate drain pipe. Closet flange installed over drain piping within top of Firestop Device with flange secured to concrete floor with 1/4 in. (6 mm) diameter steel expansion bolts in conjunction with steel nuts and 3/4 in. (19 mm) diameter steel washers.

5. Drain Piping — Nom 3 or 4 in. (76 or 102 mm) diam Schedule 40 cellular or solid core polyvinyl chloride (PVC) or acrylonitrile butadiene styrene (ABS) drain piping and fittings.

6. Water Closet — (Not Shown) - Floor mounted vitreous china water closet.

\* Indicates such products shall bear the UL or cUL Certification Mark for jurisdictions employing the UL or cUL Certification (such as Canada), respectively.



Hilti Firestop Systems

Reproduced by HILTI, Inc. Courtesy of  
Underwriters Laboratories, Inc.  
November 20, 2019

Page: 1 of 1