

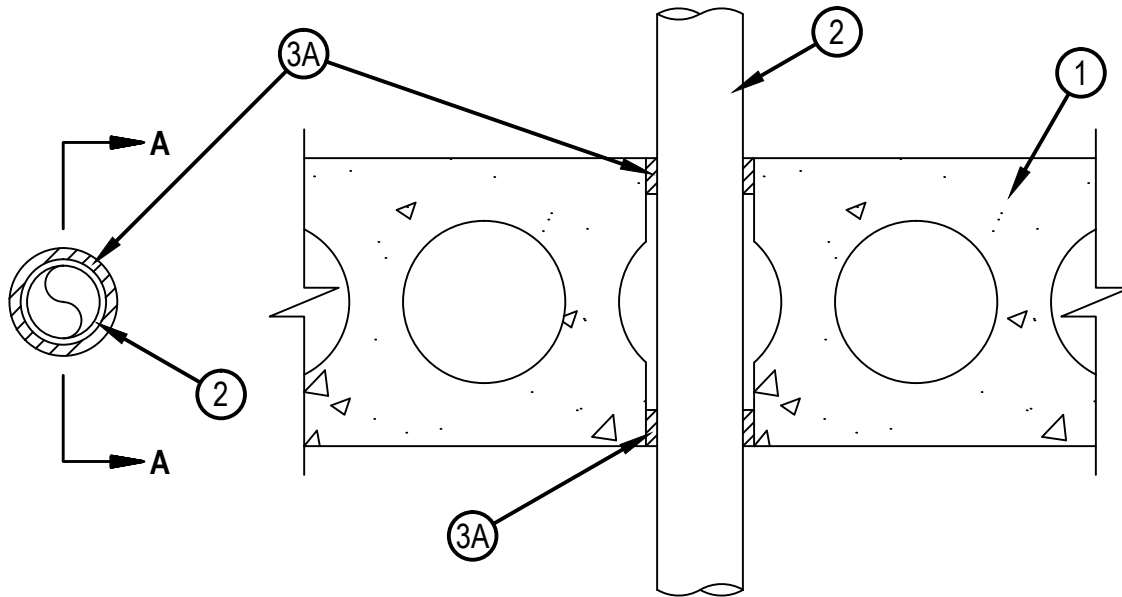


Classified by
Underwriters Laboratories, Inc.
to UL 1479

System No. C-BJ-2040

F Rating — 3 Hr
T Rating — 2-3/4 Hr

CBJ 2040



SECTION A-A

1. Floor or Wall Assembly — Min 8 in. (203 mm) thick floor or wall made from reinforced lightweight or normal weight (100-150 pcf or 1600-2400 kg/m³) concrete. Floor assembly may also be constructed of any 8 in. (203 mm) thick UL Classified hollow-core Precast Concrete Units*. Wall may also be constructed of any UL Classified Concrete Blocks*. Max diameter of opening is 3 in. (76 mm).
See Concrete Blocks (CAZT) and Precast Concrete Units (CFTV) category in the Fire Resistance Directory for names of manufacturers.
2. Through Penetrants — One nonmetallic pipe to be installed concentrically or eccentrically within the firestop system. Annular space between pipe, tubing or conduit and edge of opening to be min 1/8 in. (3 mm) and max 1/2 in. (13 mm). Pipe to be rigidly supported on both sides of floor or wall assembly. The following types and sizes of nonmetallic pipe may be used:
 - A. Chlorinated Polyvinyl Chloride (CPVC) Pipe — Nom 2 in. (51 mm) diam (or smaller) SDR13.5 CPVC pipe for use in closed (process or supply) piping systems.
 - B. Chlorinated Polyvinyl Chloride (CPVC) Pipe — Nom 2 in. (51 mm) diam (or smaller) BLAZEMASTER® SDR13.5 CPVC for use in closed (process or supply) piping systems.
 - C. Cross Linked Polyethylene (PEX) Tubing — Nom 2 in. (51 mm) diam (or smaller) SDR 9 PEX tubing for use in closed (process or supply) piping systems.
3. Firestop System — The firestop system shall consist of the following:
 - A. Fill Void or Cavity Material* — Sealant — Min 1 in. (25 mm) thickness of fill material applied within annulus, flush with top and bottom surface of floor or both surfaces of wall.
HILTI CONSTRUCTION CHEMICALS, DIV OF HILTI INC — FS-ONE Sealant or FS-ONE MAX Intumescent Sealant.

* Indicates such products shall bear the UL or cUL Certification Mark for jurisdictions employing the UL or cUL Certification (such as Canada), respectively.



Hilti Firestop Systems

Reproduced by HILTI, Inc. Courtesy of
Underwriters Laboratories, Inc.
January 15, 2015